

# TOILET PARTITION HARDWARE

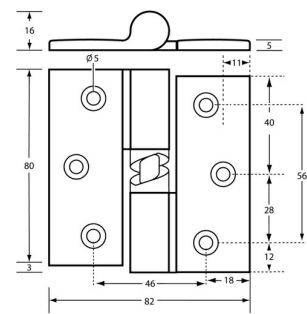


## 106

### 106 Gravity Hinge - Visible Fix

#### Specification

Material	Diecast Zinc, Alloy ZP3 #304 Stainless Steel Shaft Nylon Inserts
Finish	SCP: Satin Chrome Plate BCP: Bright Chrome Plate (Hold Open Available Only)
Mounting	Screw Fix
Specify	106_LHHC: Left Hand, Hold Closed. Assists door to move towards Hold Closed position 106_LHHO: Left Hand, Hold Open. Assists door to move towards Hold Open position 106_RHHC: Right Hand, Hold Closed. Assists door to move towards Hold Closed position 106_RHHO: Right Hand, Hold Open. Assists door to move towards Hold Open position
Features	Gravity assisted door opening/door closing with lift off capability.
Load Rating	15Kg per hinge  For optimum performance - 2 hinges per door up to 30Kgs For doors over 30Kg allow for 15Kg per hinge
Disclaimer	Gravity hinges contain no mechanical components. Functionality of these hinges can vary depending on the environment. When selecting this product, please view our Product Disclosure Statement in the Care and Maintenance Download below.



#### Downloads & Resources

##### Care & Maintenance

*The photographs and line drawings of the products presented above are representational only. Metlam Australia Pty Ltd reserves the right to, and from time to time, make changes and improvements in design and dimensions.*